

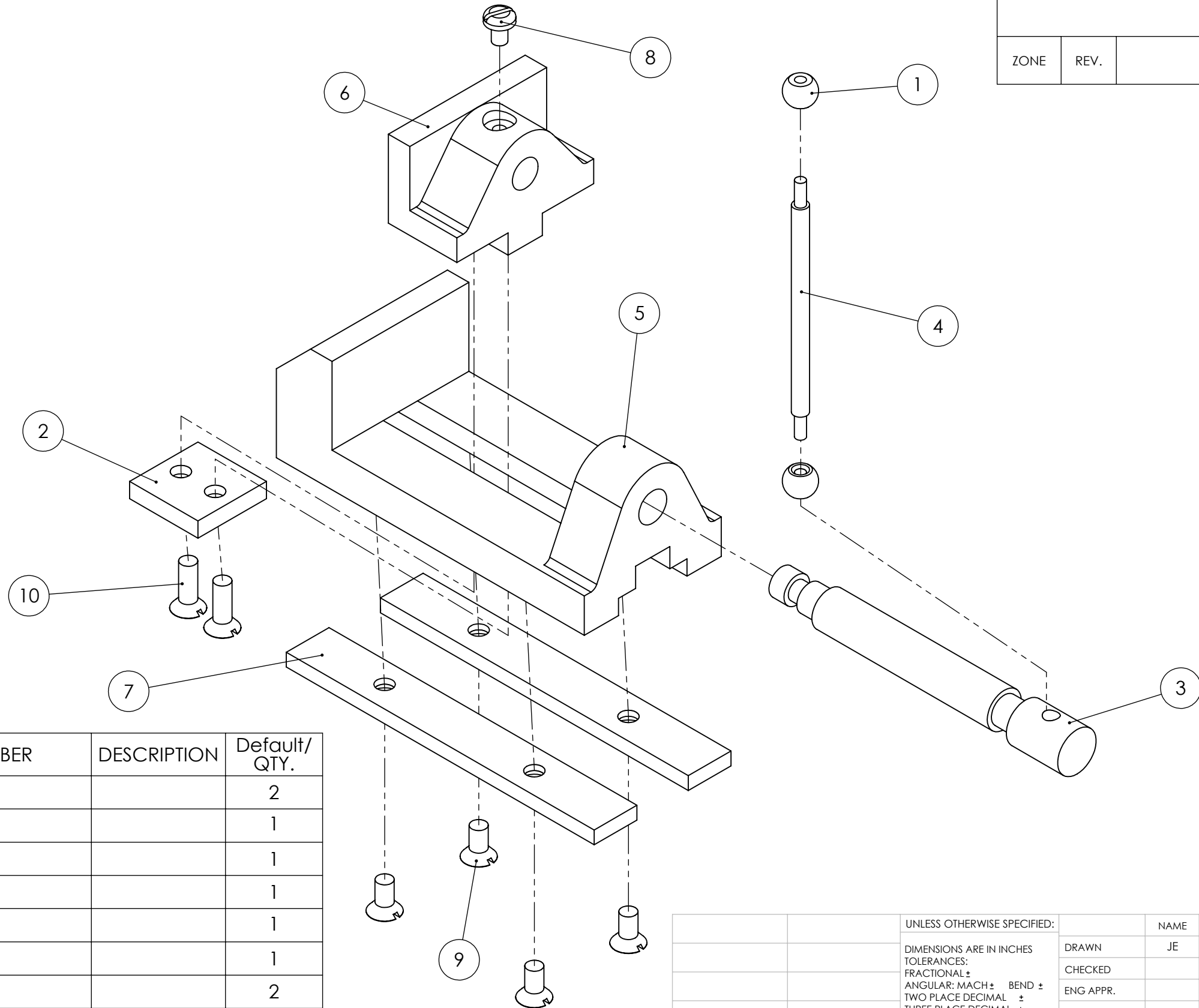
4

3

2

1

REVISIONS				
ZONE	REV.	DESCRIPTION	DATE	APPROVED



ITEM NO.	PART NUMBER	DESCRIPTION	Default/ QTY.
1	Bar Globe		2
2	Clamping Plate		1
3	Jaw Screw		1
4	Screw Bar		1
5	Vice Body		1
6	Vice Jaw		1
7	Base Plate		2
8	SL-PHMS 0.216-24x0.3125x0.3125-N		1
9	CSBOLT 0.2500-20x0.5x0.5-S-N		4
10	CSBOLT 0.2500-20x0.75x0.75-S-N		2

PROPRIETARY AND CONFIDENTIAL
 THE INFORMATION CONTAINED IN THIS DRAWING IS THE SOLE PROPERTY OF SOME GUY IN A GREEN SHIRT. ANY REPRODUCTION IN PART OR AS A WHOLE WITHOUT THE WRITTEN PERMISSION OF SOME GUY IN A GREEN SHIRT IS PROHIBITED.

UNLESS OTHERWISE SPECIFIED:		NAME	DATE
DIMENSIONS ARE IN INCHES		DRAWN	JE
TOLERANCES:		CHECKED	9/14
FRACTIONAL ±		ENG APPR.	
ANGULAR: MACH ± BEND ±		MFG APPR.	
TWO PLACE DECIMAL ±		Q.A.	
THREE PLACE DECIMAL ±		COMMENTS:	
INTERPRET GEOMETRIC TOLERANCING PER:	MATERIAL		
FINISH			
NEXT ASSY	USED ON		
APPLICATION	DO NOT SCALE DRAWING		

TITLE:		
VICE ISOMETRIC		
SIZE	DWG. NO.	REV
B	1	
SCALE: 1:4	WEIGHT:	SHEET 1 OF 8

4

3

2

1

B

B

A

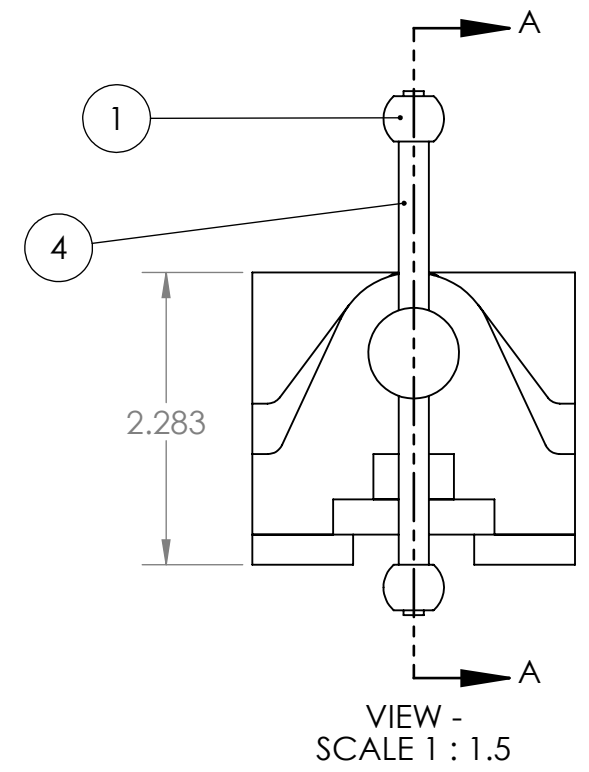
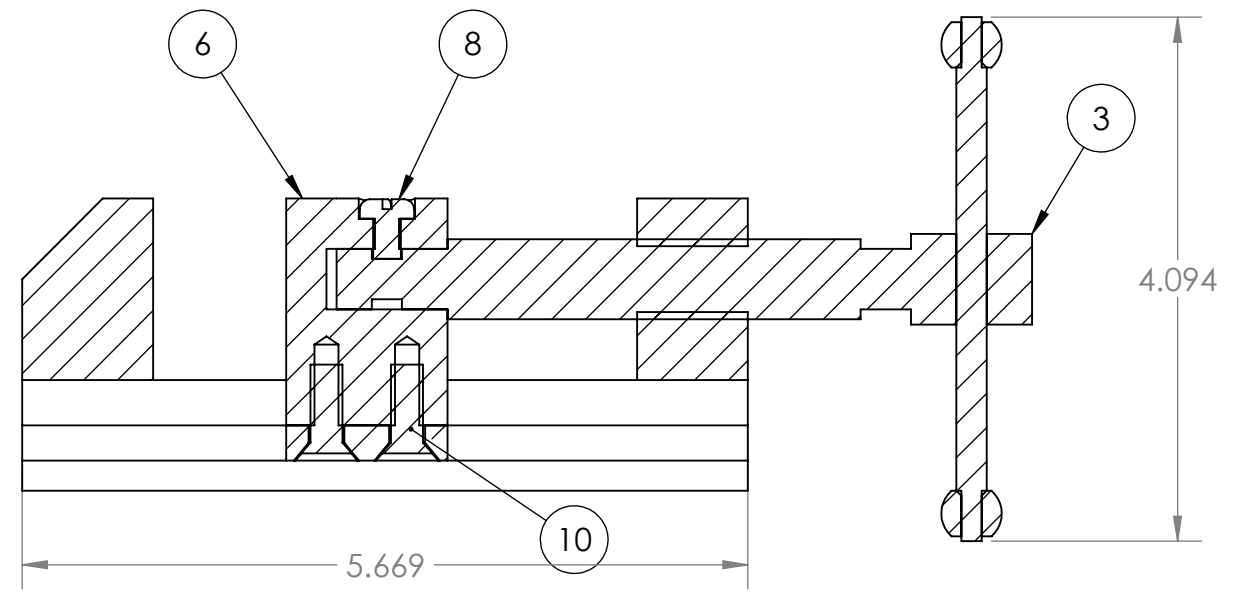
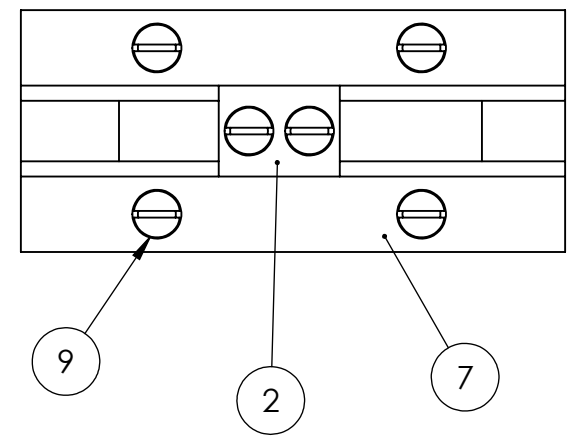
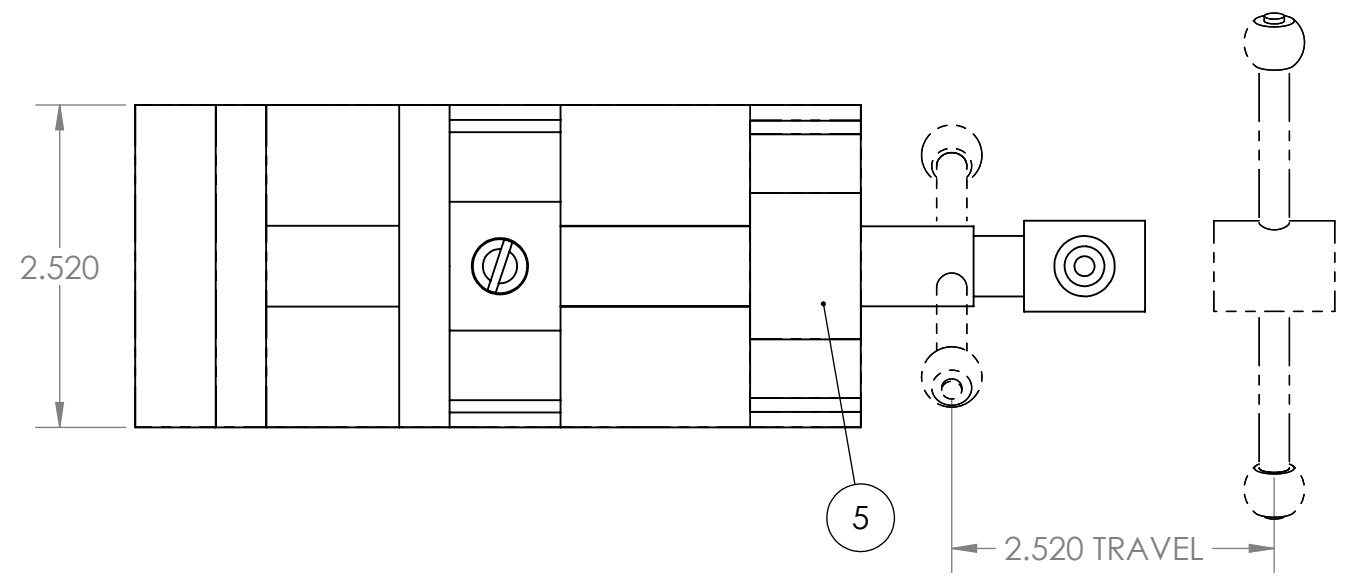
A

4

3

2

1



SECTION A-A
SCALE 1 : 1.5

VIEW -
SCALE 1 : 1.5

ITEM NO.	PART NUMBER	DESCRIPTION	Default/ QTY.
1	Bar Globe		2
2	Clamping Plate		1
3	Jaw Screw		1
4	Screw Bar		1
5	Vice Body		1
6	Vice Jaw		1
7	Base Plate		2
8	SL-PHMS 0.216-24x0.3125x0.3125-N		1
9	CSBOLT 0.2500-20x0.5x0.5-S-N		4
10	CSBOLT 0.2500-20x0.75x0.75-S-N		2

PROPRIETARY AND CONFIDENTIAL
 THE INFORMATION CONTAINED IN THIS DRAWING IS THE SOLE PROPERTY OF SOME GUY IN A GREEN SHIRT. ANY REPRODUCTION IN PART OR AS A WHOLE WITHOUT THE WRITTEN PERMISSION OF SOME GUY IN A GREEN SHIRT IS PROHIBITED.

		UNLESS OTHERWISE SPECIFIED:	NAME	DATE		
		DIMENSIONS ARE IN INCHES	DRAWN	JE	9/14	
		TOLERANCES:	CHECKED			
		FRACTIONAL: ±	ENG APPR.			
		ANGULAR: MACH ± BEND ±	MFG APPR.			
		TWO PLACE DECIMAL ±	Q.A.			
		THREE PLACE DECIMAL ±	COMMENTS:			
		INTERPRET GEOMETRIC TOLERANCING PER:				
		MATERIAL				
NEXT ASSY	USED ON	FINISH				
APPLICATION		DO NOT SCALE DRAWING				
			TITLE:			
			VICE OTHRO			
SIZE	DWG. NO.	REV				
B	2					
SCALE: 1:2		WEIGHT:	SHEET 2 OF 8			

4

3

2

1

4

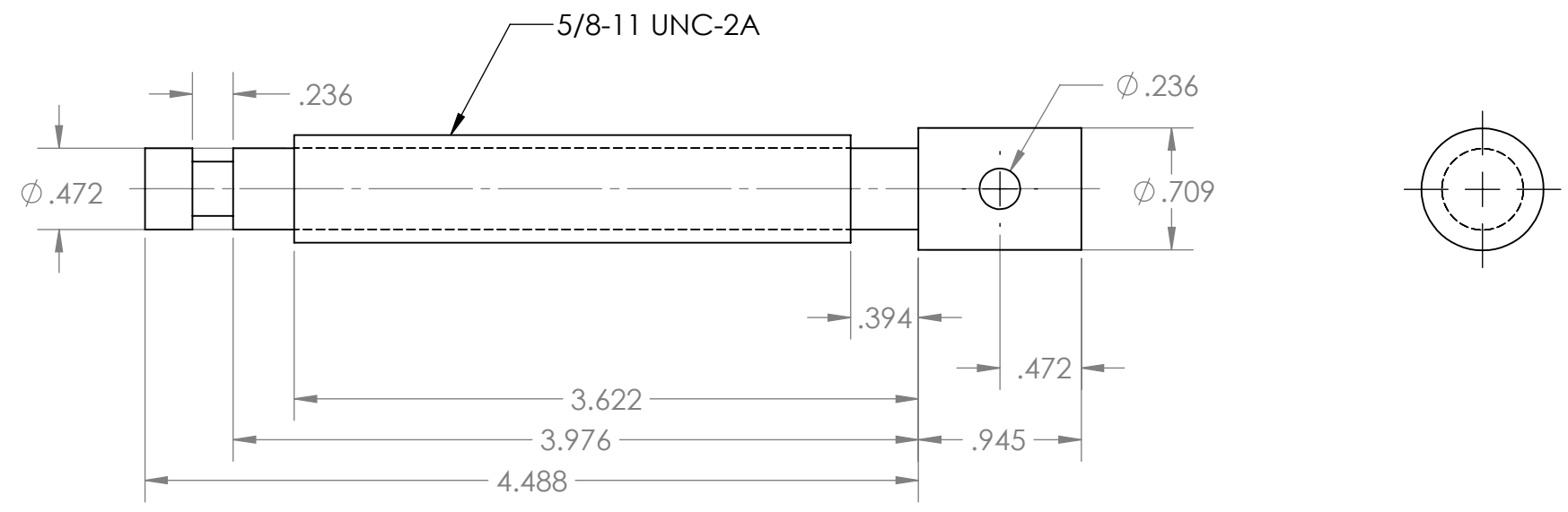
3

2

1

B

B



A

A

PROPRIETARY AND CONFIDENTIAL
 THE INFORMATION CONTAINED IN THIS DRAWING IS THE SOLE PROPERTY OF SOME GUY IN A GREEN SHIRT. ANY REPRODUCTION IN PART OR AS A WHOLE WITHOUT THE WRITTEN PERMISSION OF SOME GUY IN A GREEN SHIRT IS PROHIBITED.

		UNLESS OTHERWISE SPECIFIED:	NAME	DATE		
		DIMENSIONS ARE IN INCHES	DRAWN	JE	9/14	TITLE: JAW SCREW
		TOLERANCES:	CHECKED			
		FRACTIONAL \pm	ENG APPR.			
		ANGULAR: MACH \pm BEND \pm	MFG APPR.			
		TWO PLACE DECIMAL \pm	Q.A.			SIZE DWG. NO. REV B 3
		THREE PLACE DECIMAL \pm	COMMENTS:			
		INTERPRET GEOMETRIC TOLERANCING PER:				SCALE: 1:1 WEIGHT: SHEET 3 OF 8
		MATERIAL				
NEXT ASSY	USED ON	FINISH				
APPLICATION		DO NOT SCALE DRAWING				

4

3

2

1

4

3

2

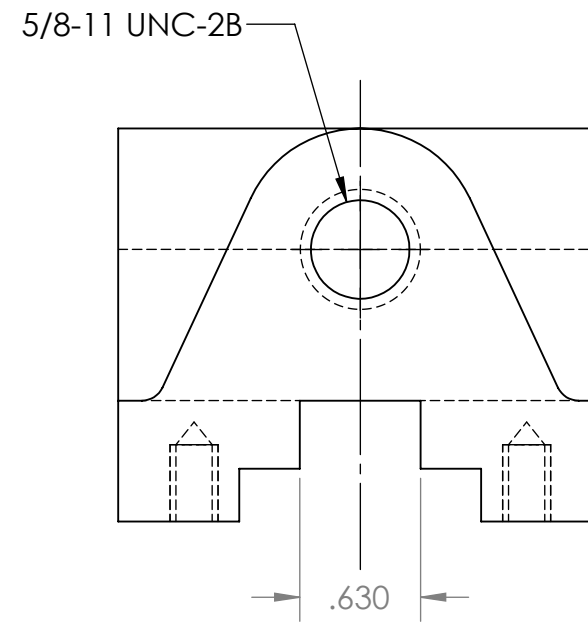
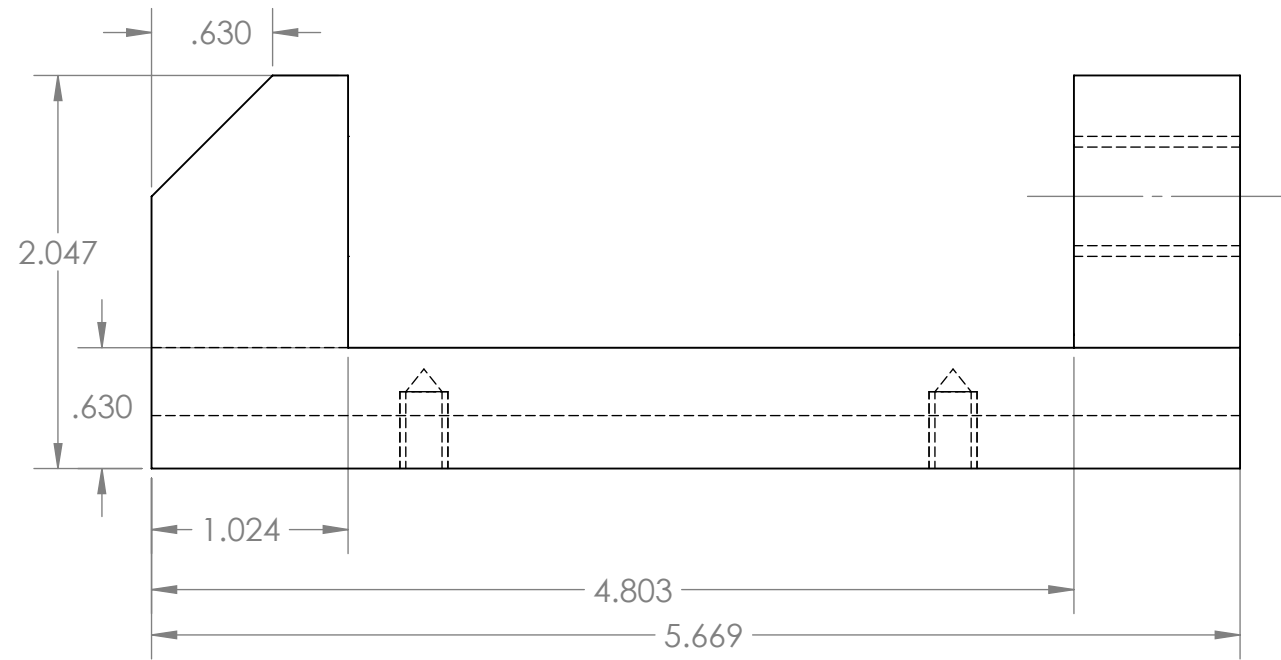
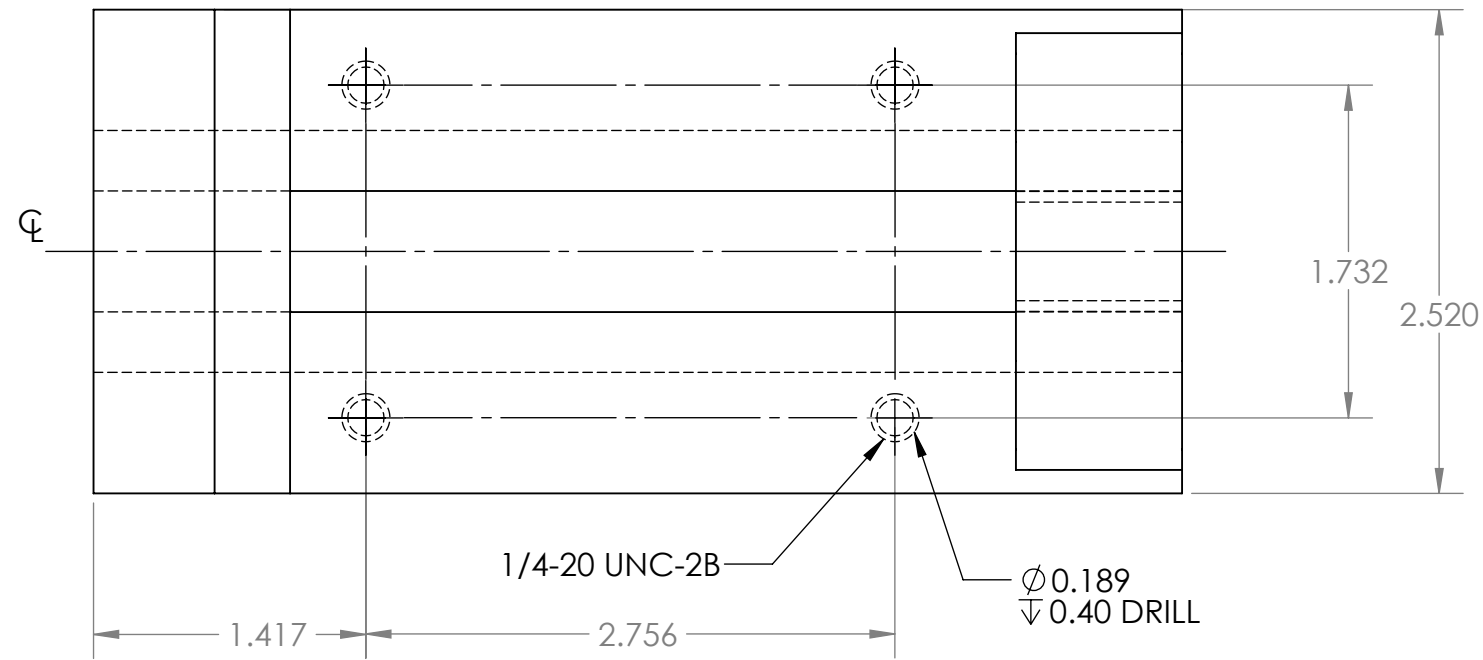
1

B

B

A

A



PROPRIETARY AND CONFIDENTIAL
 THE INFORMATION CONTAINED IN THIS DRAWING IS THE SOLE PROPERTY OF SOME GUY IN A GREEN SHIRT. ANY REPRODUCTION IN PART OR AS A WHOLE WITHOUT THE WRITTEN PERMISSION OF SOME GUY IN A GREEN SHIRT IS PROHIBITED.

		UNLESS OTHERWISE SPECIFIED:	NAME	DATE		
		DIMENSIONS ARE IN INCHES	DRAWN	JE	9/14	TITLE: VICE BODY
		TOLERANCES:	CHECKED			
		FRACTIONAL ±	ENG APPR.			
		ANGULAR: MACH ± BEND ±	MFG APPR.			
		TWO PLACE DECIMAL ±	Q.A.			SIZE DWG. NO. REV B 4
		THREE PLACE DECIMAL ±	COMMENTS:			
NEXT ASSY	USED ON	MATERIAL				
APPLICATION		FINISH				
		DO NOT SCALE DRAWING				
			SCALE: 1:1	WEIGHT:	SHEET 4 OF 8	

4

3

2

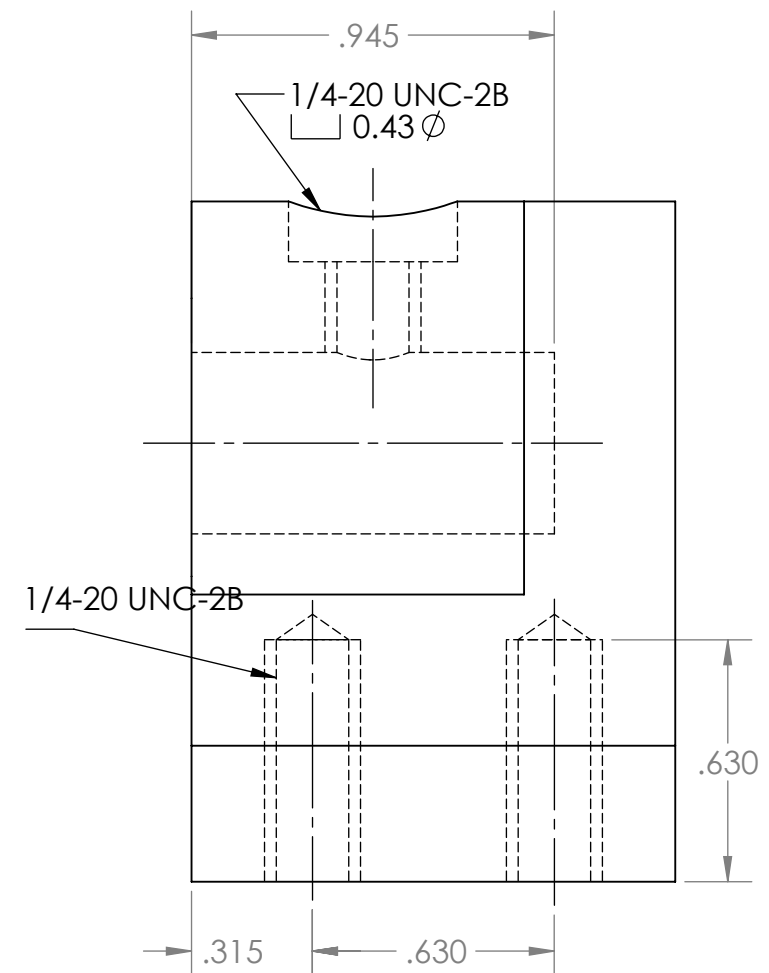
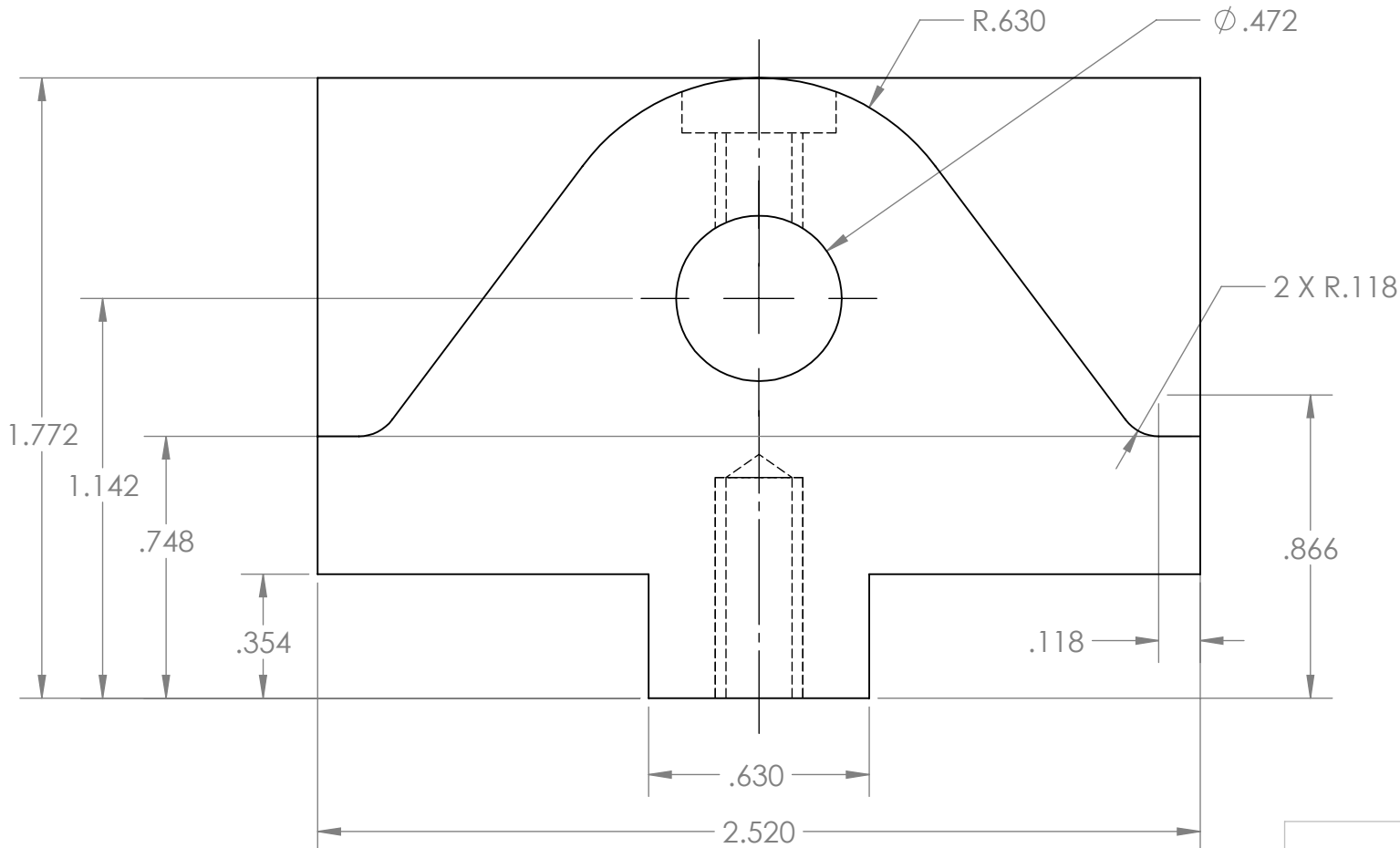
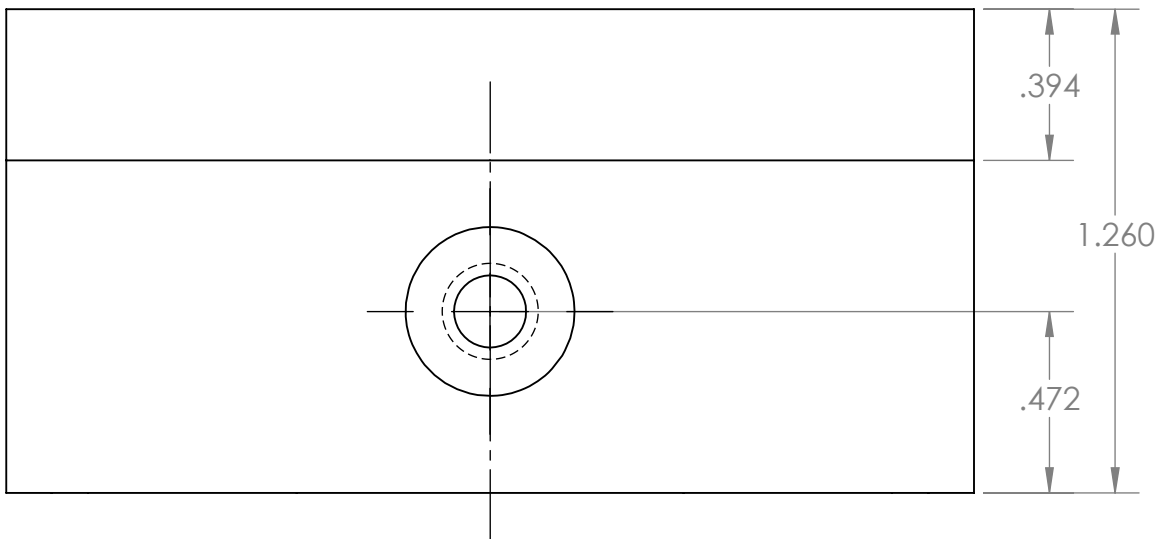
1

4

3

2

1



PROPRIETARY AND CONFIDENTIAL
 THE INFORMATION CONTAINED IN THIS DRAWING IS THE SOLE PROPERTY OF SOME GUY IN A GREEN SHIRT. ANY REPRODUCTION IN PART OR AS A WHOLE WITHOUT THE WRITTEN PERMISSION OF SOME GUY IN A GREEN SHIRT IS PROHIBITED.

		UNLESS OTHERWISE SPECIFIED:		NAME	DATE
		DIMENSIONS ARE IN INCHES		DRAWN	JE
		TOLERANCES:		CHECKED	
		FRACTIONAL: ±		ENG APPR.	
		ANGULAR: MACH ± BEND ±		MFG APPR.	
		TWO PLACE DECIMAL ±		Q.A.	
		THREE PLACE DECIMAL ±		COMMENTS:	
		INTERPRET GEOMETRIC TOLERANCING PER:			
		MATERIAL			
NEXT ASSY	USED ON	FINISH			
APPLICATION		DO NOT SCALE DRAWING			
		TITLE:		VICE JAW	
SIZE	DWG. NO.	REV			
B	5				
SCALE: 1:1		WEIGHT:		SHEET 5 OF 8	

4

3

2

1

B

B

A

A

4

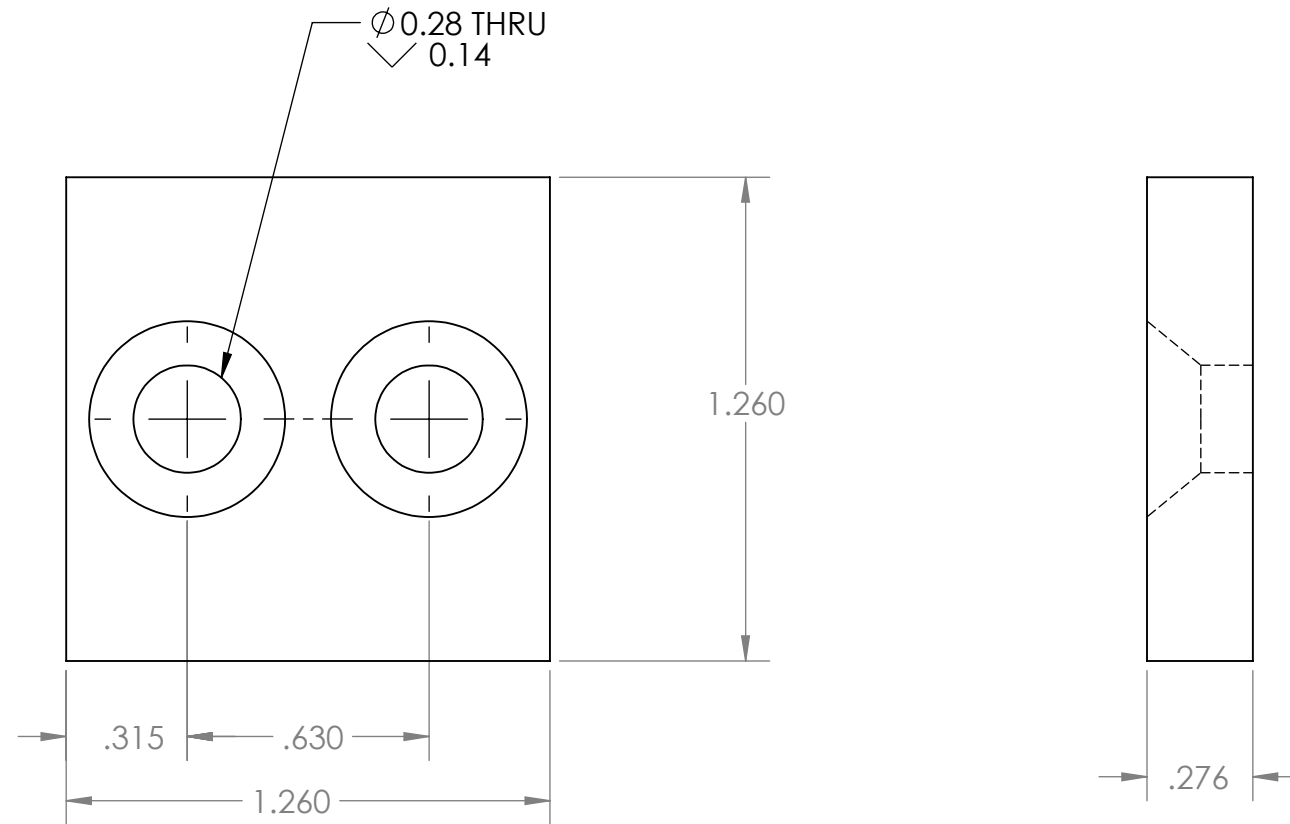
3

2

1

B

B



A

A

PROPRIETARY AND CONFIDENTIAL
 THE INFORMATION CONTAINED IN THIS DRAWING IS THE SOLE PROPERTY OF SOME GUY IN A GREEN SHIRT. ANY REPRODUCTION IN PART OR AS A WHOLE WITHOUT THE WRITTEN PERMISSION OF SOME GUY IN A GREEN SHIRT IS PROHIBITED.

		UNLESS OTHERWISE SPECIFIED:		NAME	DATE		
		DIMENSIONS ARE IN INCHES		DRAWN	JE	9/14	TITLE: CLAMPING PLATE
		TOLERANCES:		CHECKED			
		FRACTIONAL \pm		ENG APPR.			
		ANGULAR: MACH \pm BEND \pm		MFG APPR.			
		TWO PLACE DECIMAL \pm		Q.A.			SIZE DWG. NO. REV B 6
		THREE PLACE DECIMAL \pm		COMMENTS:			
		INTERPRET GEOMETRIC TOLERANCING PER:					SCALE: 2:1
		MATERIAL					WEIGHT:
NEXT ASSY	USED ON	FINISH					SHEET 6 OF 8
APPLICATION		DO NOT SCALE DRAWING					

4

3

2

1

4

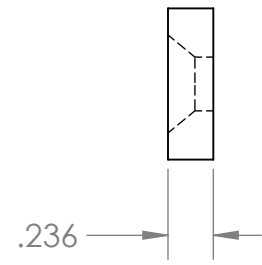
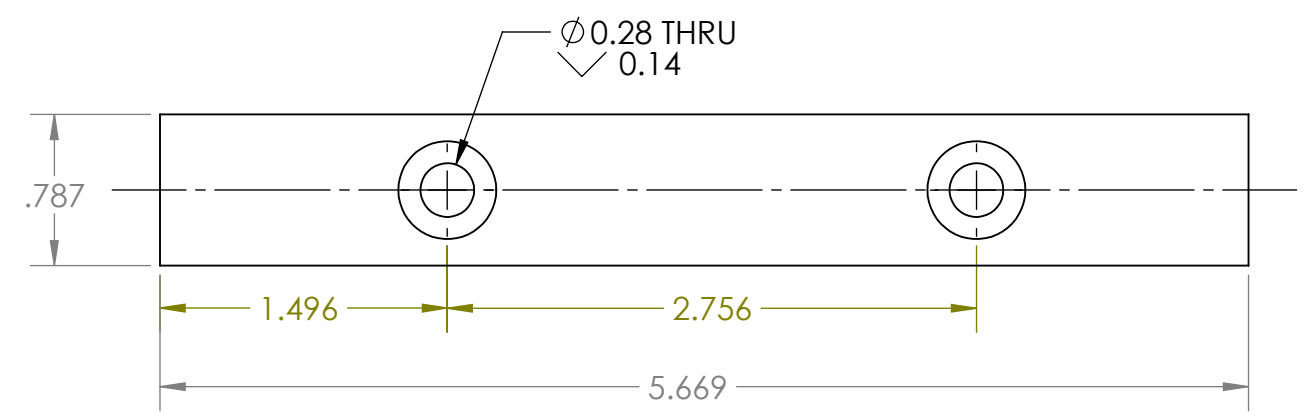
3

2

1

B

B



A

A

PROPRIETARY AND CONFIDENTIAL
 THE INFORMATION CONTAINED IN THIS DRAWING IS THE SOLE PROPERTY OF SOME GUY IN A GREEN SHIRT. ANY REPRODUCTION IN PART OR AS A WHOLE WITHOUT THE WRITTEN PERMISSION OF SOME GUY IN A GREEN SHIRT IS PROHIBITED.

		UNLESS OTHERWISE SPECIFIED:		NAME	DATE	TITLE: BASE PLATE					
		DIMENSIONS ARE IN INCHES	DRAWN	JE	9/14			SIZE B DWG. NO. 7 REV			
		TOLERANCES: FRACTIONAL \pm ANGULAR: MACH \pm BEND \pm TWO PLACE DECIMAL \pm THREE PLACE DECIMAL \pm	CHECKED							SCALE: 1:1 WEIGHT: SHEET 7 OF 8	
		INTERPRET GEOMETRIC TOLERANCING PER: MATERIAL	ENG APPR.								
NEXT ASSY	USED ON	FINISH	MFG APPR.								
APPLICATION		DO NOT SCALE DRAWING	Q.A.								
			COMMENTS:								

4

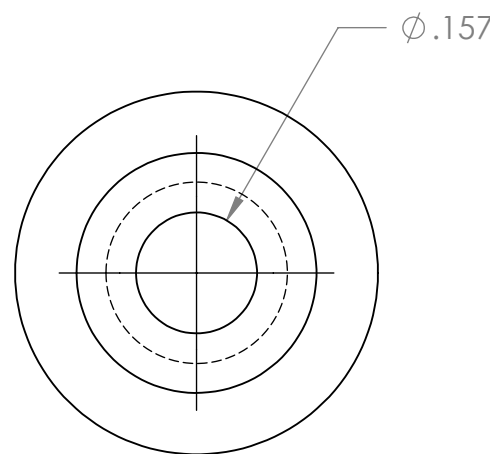
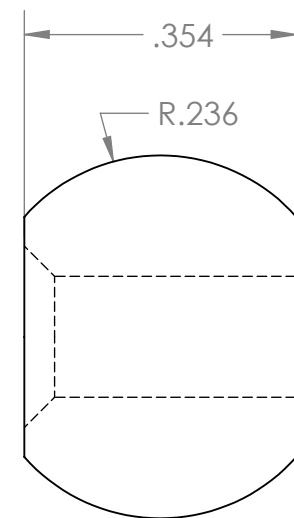
3

2

1

B

B



A

A

PROPRIETARY AND CONFIDENTIAL
 THE INFORMATION CONTAINED IN THIS DRAWING IS THE SOLE PROPERTY OF SOME GUY IN A GREEN SHIRT. ANY REPRODUCTION IN PART OR AS A WHOLE WITHOUT THE WRITTEN PERMISSION OF SOME GUY IN A GREEN SHIRT IS PROHIBITED.

		UNLESS OTHERWISE SPECIFIED:		NAME	DATE	TITLE: BAR GLOBE AND SCREW BAR	
		DIMENSIONS ARE IN INCHES		DRAWN	JE		9/14
		TOLERANCES:		CHECKED			
		FRACTIONAL ±		ENG APPR.			
		ANGULAR: MACH ± BEND ±		MFG APPR.			
		TWO PLACE DECIMAL ±		Q.A.			
		THREE PLACE DECIMAL ±		COMMENTS:			
		INTERPRET GEOMETRIC TOLERANCING PER:					
		MATERIAL					
		FINISH					
NEXT ASSY	USED ON	APPLICATION		DO NOT SCALE DRAWING			
				SIZE	DWG. NO.	REV	
				B	8		
				SCALE: 2:1	WEIGHT:	SHEET 8 OF 8	

4

3

2

1